



24" MultiTouch screen, based on the latest Optical Touch Screen Technology

The T2452MTS is Windows® 7 Compatible and ready for the emerging business and consumer software packages. The monitor lets you browse the web, email and draw while working on multiple screens, docking or typing on the on-screen keyboard. You can scroll and rotate pictures, draw, zoom in and out using certain tap, flick, grab and pincer gestures. The multi-touch is not only fast but also fun to work with. The panel features High Definition 1920x1080 resolution with a 2ms response time. HDMI, DVI and Analogue inputs are available for flexible connectivity along with USB for the Touch Interface.



#### TOUCH TECHNOLOGY - OPTICAL

This technology uses cameras. A touch event is registered with great accuracy when light is blocked by a finger or stylus. It's the only touch technology that does not rely on an overlay or substrate to register a touch, so it's impossible to physically "wear out" the touchscreen. In fact you don't really have to physically touch the screen.



#### OVERDRIVE ON / OFF

When very fast graphics are displayed your monitor can sometimes get blurry. Turning on the OverDrive feature will eliminate that.

## 1. DISPLAY CHARACTERISTICS

DIAGONAL	23.6"; 60cm
TOUCHTECHNOLOGY	optical, multitouch (2 compatible touch points - HID, supported only under Windows® 7), activated by finger or stylus
PANEL	TN LED
DISPLAY AREA H X W	293.2 x 521.3 mm; 11.54" x 20.51"
RESPONSE TIME	2 ms
CONTRAST	1000 : 1 typical
CONTRAST	5 000 000 : 1 ACR
BRIGHTNESS	260 cd/m² typical
VIEWING ZONE	horizontal/vertical: 170°/ 160° ; right/left: 85°/ 85° ; up/down: 80°/ 80°
DISPLAY COLOUR	16.7 million
PIXEL PITCH H X V	0.272 x 0.272 mm
NATIVE RESOLUTION	Full HD 1080p, 1920 x 1080 ( 2.1 megapixel)
HORIZONTAL SYNC	24 - 80 KHz
VERTICAL SYNC	55 - 75 Hz
SYNCHRONIZATION	Separate Sync
ASPECT RATIO	16 : 9
LIGHT TRANSMITTANCE	88%

## 2. INTERFACES & CONNECTORS

ANALOG INPUT CONNECTOR	VGA
DIGITAL INPUT CONNECTOR	DVI-D, HDMI
HDCP	yes
HEADPHONE CONNECTOR	Yes
OUTPUT CONNECTOR	headphone connector
INPUTS	USB (for touch connectivity)

## 3. SPECIAL FEATURES

PLUG & PLAY	VESA DDC2B™
CONTROLS	On-Screen-Display in 9 languages (EN, FR, DE, NL, PL, RU, JP, Chinese (traditional and simplified)) and 5 front controls (Power, Select/ Input Select, Scroll up/ Audio, Scroll down/ i-Style Colour, Menu)
USER CONTROLS	auto adjust, picture adjust (contrast, brightness, ACR, ECO, OD), input select, audio adjust (volume, mute, HDMI audio), colour adjust, information, manual image adjust (clock, H/V position, phase, sharpness, video mode adjust), setup menu (language, OSD position, OSD time out, OSD background, opening logo, LED), memory recall
SPEAKERS	2 x 2 W (Stereo)
ANTI-THEFT-DEVICE	Kensington-lock™ prepared
SAFETY	CE, TÜV-Bauart, GOST-R, VCCI-B, PSE

TILT ANGLE	22° up; 9° down
VESA MOUNTING	100 x 100 mm
COLOUR	Black

---

## 4. ACCESSORIES

DRIVER	single-touch: XP, Vista, multi-touch: Windows®7/8 (HID)
INCLUDED ACCESSORIES	power cable, VGA (D-Sub) cable, DVI-D cable, audio cable, USB cable, touch pen, stand, quick start guide, safety guide

---

## 5. POWER MANAGEMENT

POWER SUPPLY	AC 100 - 240 V, 50 / 60 Hz
POWER SUPPLY UNIT	internal
POWER USAGE	22 W typical; max. 0.5 W in Power management mode
POWER MANAGEMENT	VESA DPMS, ENERGY STAR®

---

## 6. EU ENERGY EFFICIENCY LABEL

ENERGY EFFICIENCY CLASS	A
ON MODE POWER CONSUMPTION	22.5W
ANNUAL ENERGY CONSUMPTION	33 kW/annum*
VISIBLE SCREEN DIAGONAL	60 cm; 23.6"; ( 24" segment )

---

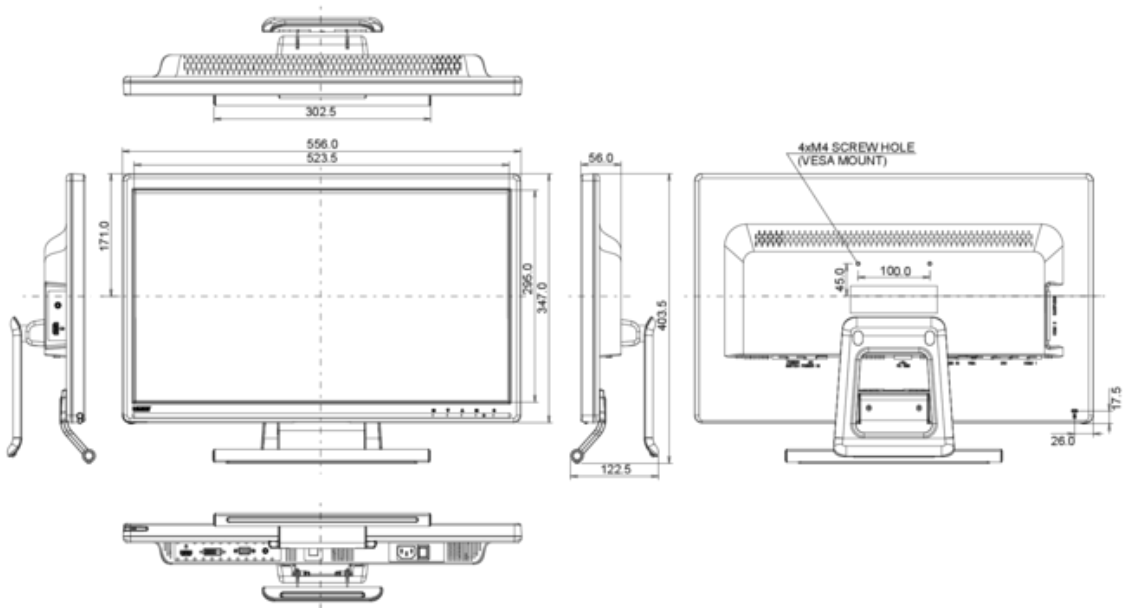
*This is information under Regulation (EU) No 1062/2010.*

*\*Based on the power consumption of the television operating 4 hours per day for 365 days. The actual energy consumption will depend on how the television is used.*

## 7. DIMENSIONS & WEIGHT

DIMENSIONS W X H X D	556 x 399 x 240 mm
WEIGHT	6.2 kg

---



All trademarks acknowledged. Errors and changes reserved. Product specifications are subject to change without notice. All LCD's comply with ISO-13406-2 which specifies the number and type of pixel defects.

© IIYAMA CORPORATION ( ). ALL RIGHTS RESERVED.